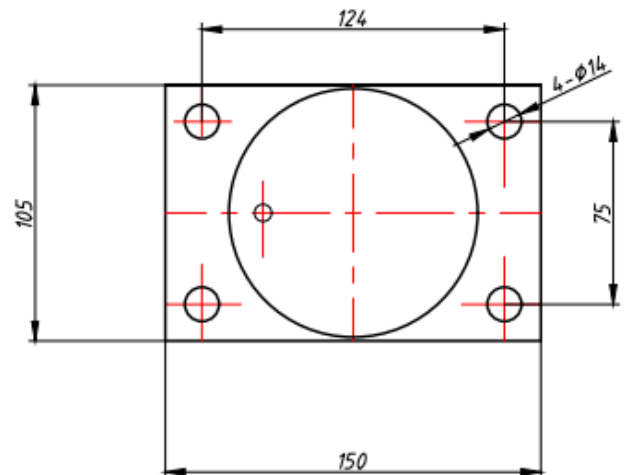
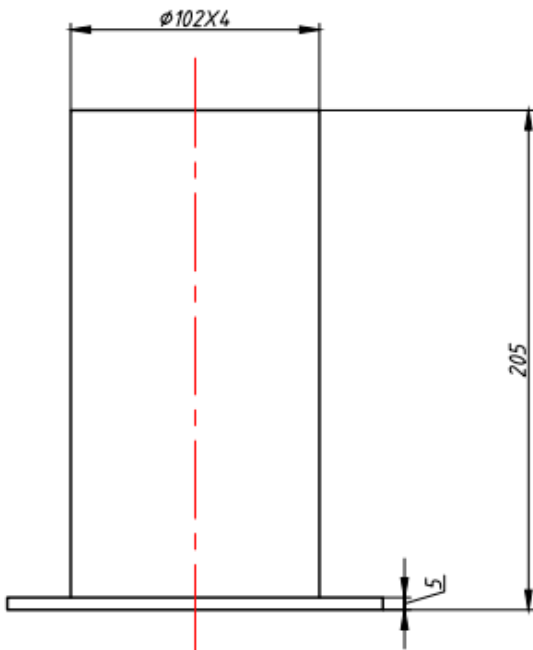


Bollard Storage Sleeve 90mm - Single



Specifications	
SKU:	BOLSTOR90S
Description:	Bollard Storage Sleeve 90mm - Single Surface Mount
Material:	Galvanised Steel
Colour:	Silver
Capacity:	Stores 1 x 90mm In-Ground Removable Bollard
Weight:	2.9kg
Diameter:	90mm
Fixings:	4 x fixings included

Bollard Storage Sleeve 90mm - Single is surface mounted and suitable for storing the Safety Xpress 90mm Key Lock and 90mm Sleeve Lock removable bollards.



Technical Drawing

