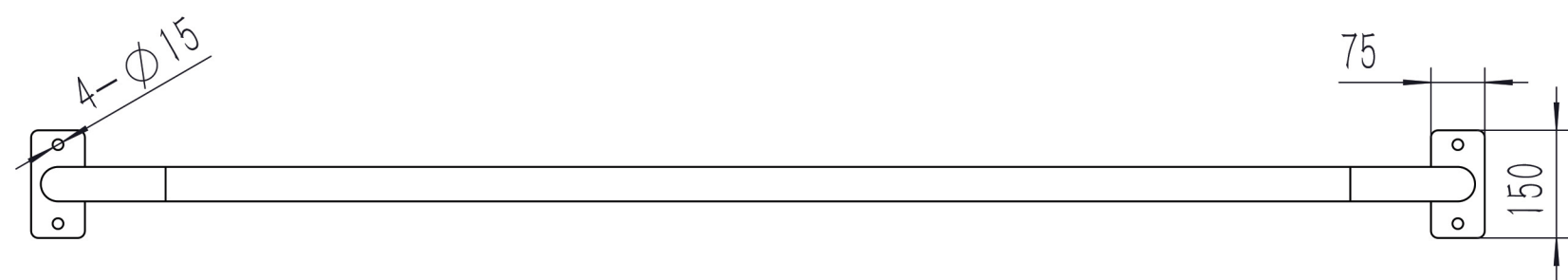
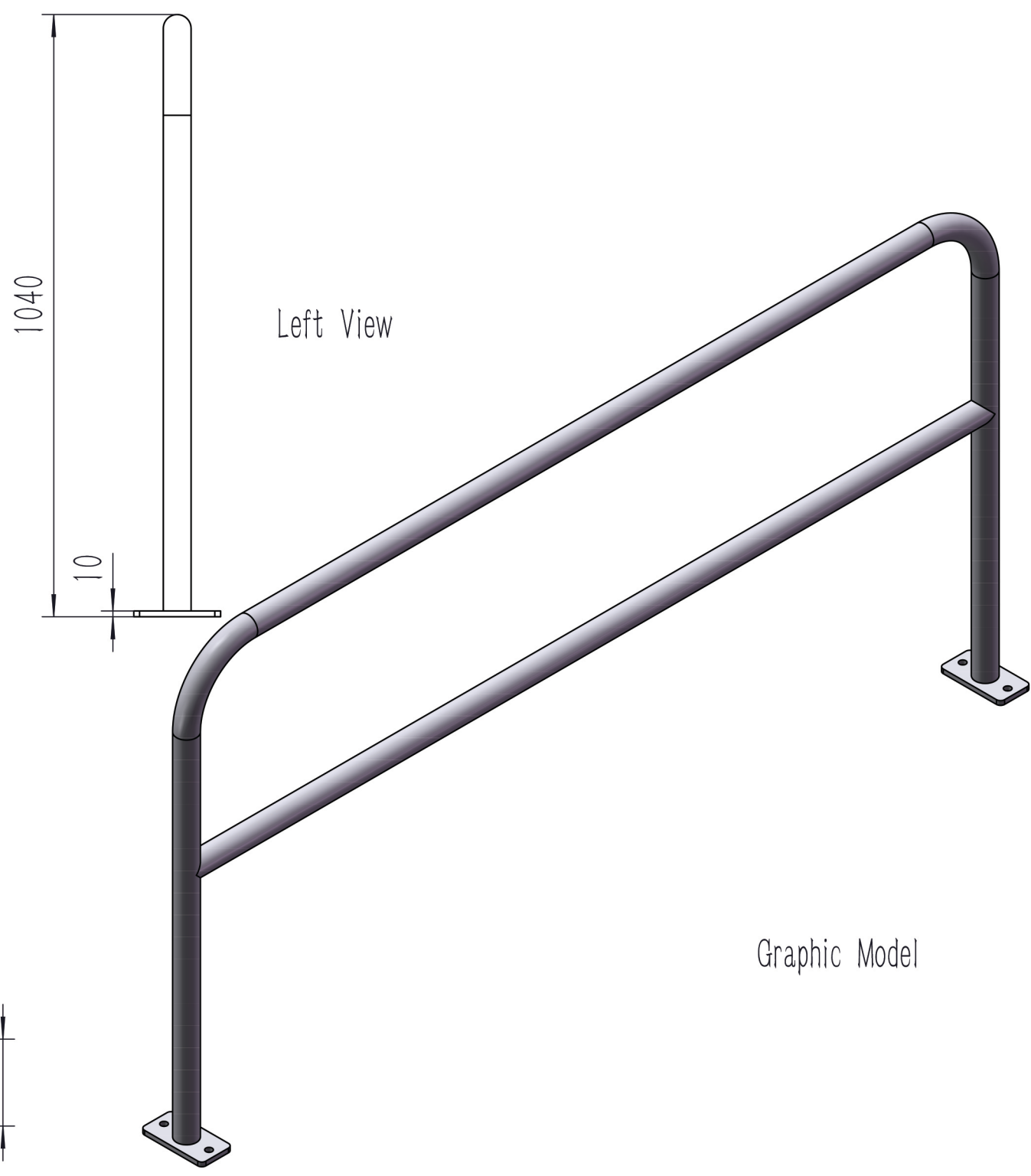


Front View



Top View

Linear tolerance	
Range (mm)	Tolerance (mm)
3-6	± 0.3
6-30	± 0.5
30-120	± 1.5
120-400	± 2.5
400-1000	± 4
1000-2000	± 6

U-Bar Hand Rail

SKU: UBD200SMG

SAFETY
XPRESS >>
.com.au